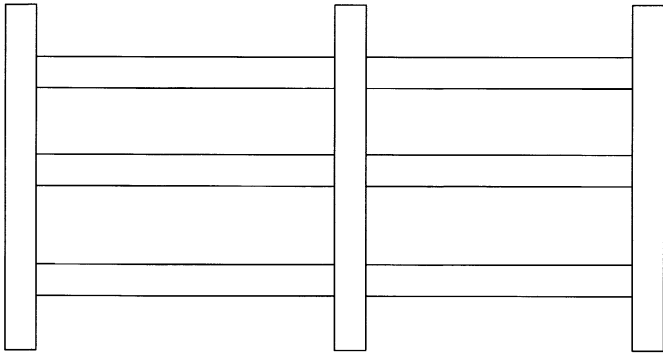
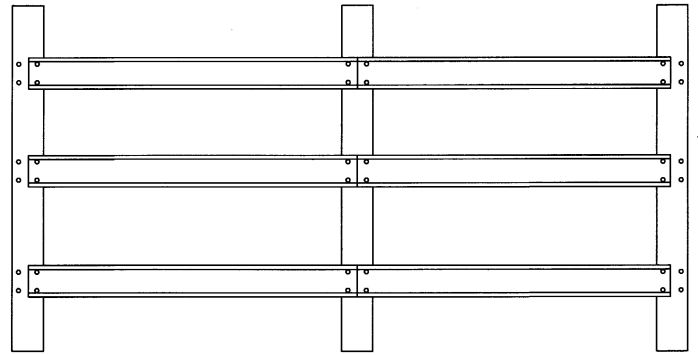


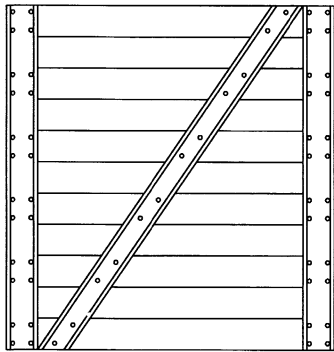
FIBER RANCH FRONT VIEW



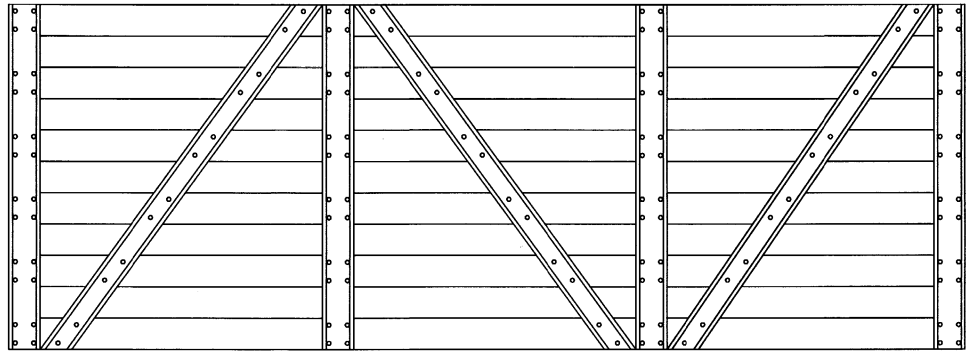
FIBER RANCH BACK VIEW



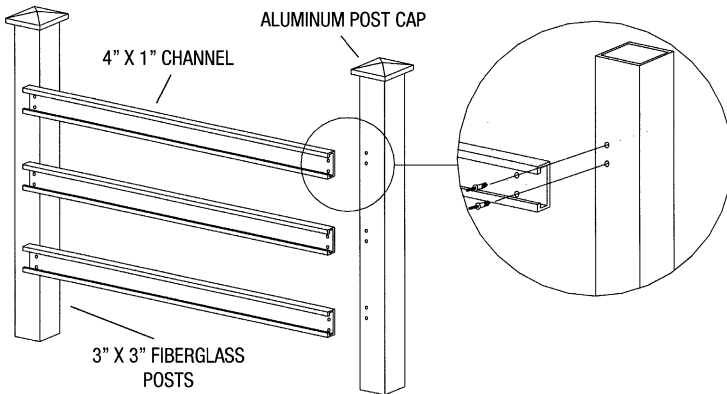
FIBER-RANCH GATE  
4' TO 7' WIDE



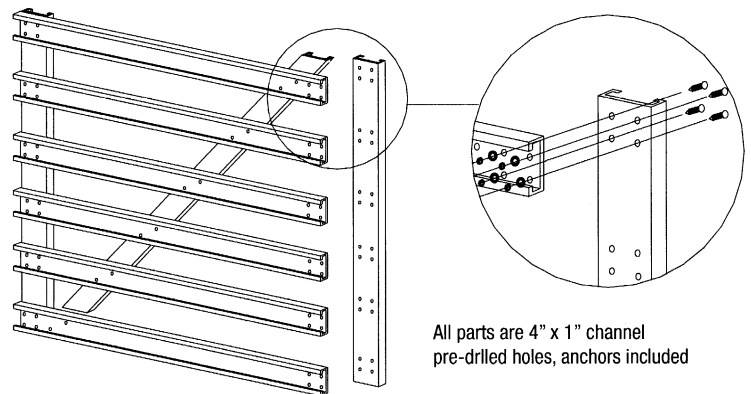
FIBER-RANCH GATE  
10' TO 12' WIDE OR CUSTOM



RANCH FENCE ASSEMBLY



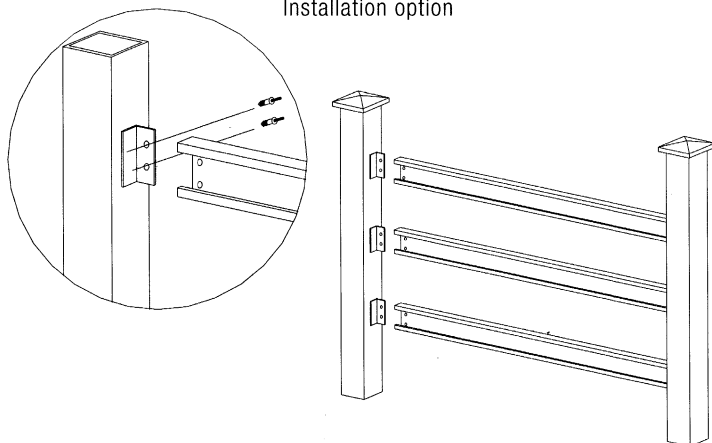
CATTLE GATE ASSEMBLY



All parts are 4" x 1" channel pre-drilled holes, anchors included

RANCH FENCE ASSEMBLY

Installation option



**Specifications:**

Fiber Ranch Fence:

Rails: 4" x 1" fiberglass channel

Posts: 3" x 3" x 1/4" wall fiberglass

Parts for attaching to posts:

The rails can be mounted directly onto the posts or side mounted using brackets.

Height/Length Options:

4', 5', 6', 8' tall or custom

2, 3, 4 or 5-rails, 8' long or custom



Mail:

P O Box 247

Keller, Texas 76244

(817) 379-4411

(817) 379-4296 Fax

[www.fandfcompositegroup.com](http://www.fandfcompositegroup.com)

[www.fiberfence.com](http://www.fiberfence.com)

**MANUFACTURED BY:**  
F&F Composite Group, Inc.  
5800 Egg Farm Road  
Keller, Texas 76248

\*Fiber Ranch Gate Pens are custom made with same materials as cattle and single gates.